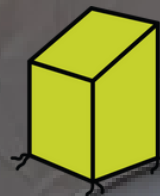


Outdoor Furniture Covers

The Cover Company

THE Cover
Company





Outdoor Furniture Covers

Outdoor furniture is an essential part of creating a comfortable and inviting outdoor space. However, without proper protection, harsh weather conditions can quickly take a toll on your furniture's appearance and longevity. That's where The Cover Company Australia comes in. With their range of high-quality outdoor furniture covers, you can ensure that your prized pieces are safeguarded against the elements, allowing you to enjoy your outdoor oasis for years to come.

Protective Quality

The Cover Company Australia takes pride in using premium materials to craft their covers. Designed to withstand the harshest weather conditions, their covers are made from durable, UV-resistant fabrics that provide optimal protection against fading, cracking, and mold growth. Whether it's scorching sun, heavy rain, or freezing snow, these covers are built to endure and shield your furniture from damage.



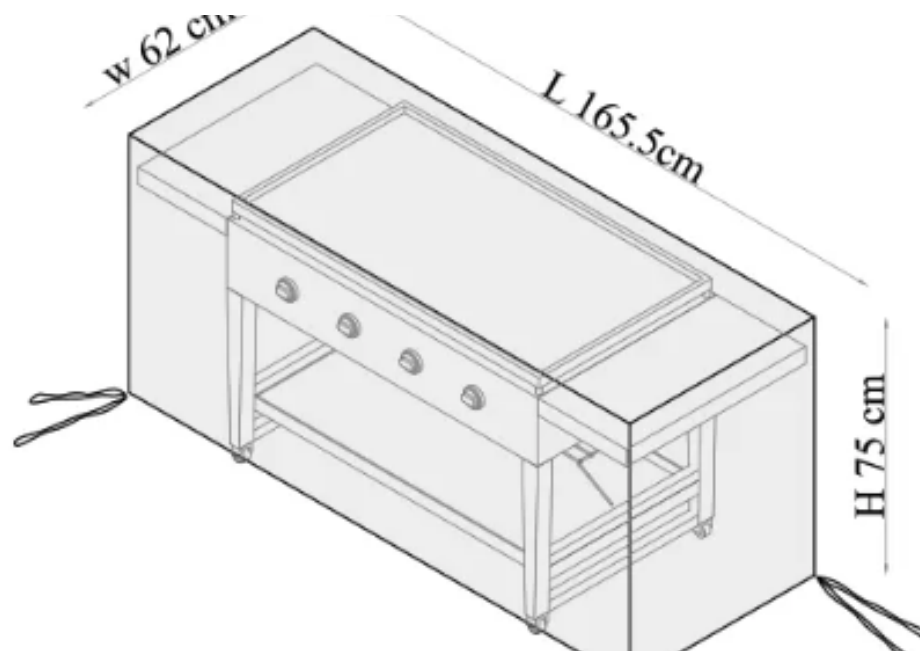
Style and Aesthetics

In addition to their exceptional functionality, The Cover Company Australia's covers also add a touch of style and sophistication to your outdoor space. With a wide range of designs, colors, and patterns to choose from, you can find the perfect cover to complement your existing decor. Whether you prefer a classic solid colour or a vibrant pattern, their covers will enhance the visual appeal of your outdoor furniture while keeping it well-protected.



Customized Solutions

At The Cover Company Australia, they understand that every outdoor furniture piece is unique in size and shape. That's why they offer custom-made covers to ensure a perfect fit for your specific furniture. Their team of experts works closely with you, taking precise measurements and understanding your requirements, to deliver a tailored solution that fits like a glove. This attention to detail ensures that your furniture is completely covered, leaving no room for exposure to the elements.

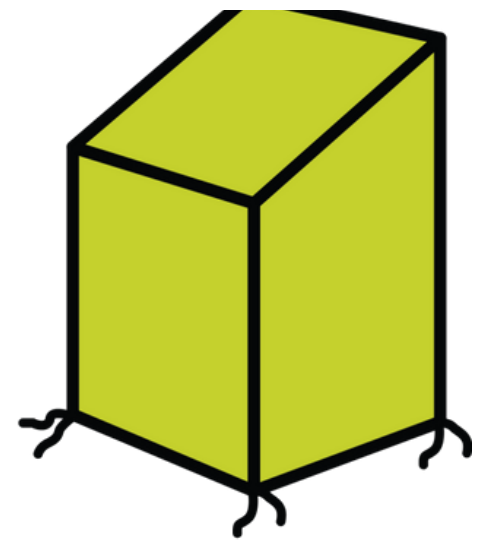


Customer Satisfaction

The Cover Company Australia is committed to providing exceptional customer satisfaction. Their knowledgeable and friendly team is always ready to assist you in finding the right cover for your outdoor furniture. They prioritize your needs and strive to deliver a seamless experience, from the moment you browse their website to the delivery of your customized cover.



THE Cover Company



CONTACT US



Email: service@thecovercompany.com.au

Website: www.thecovercompany.com.au

Location: 1A/35-47 Stennett Rd, Ingleburn NSW
2565